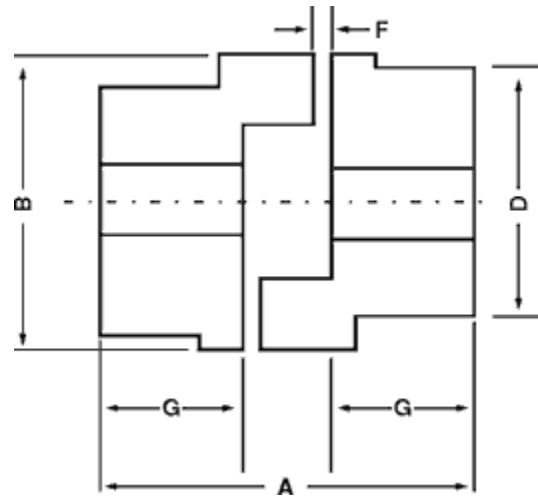


JAW TYPE COUPLING



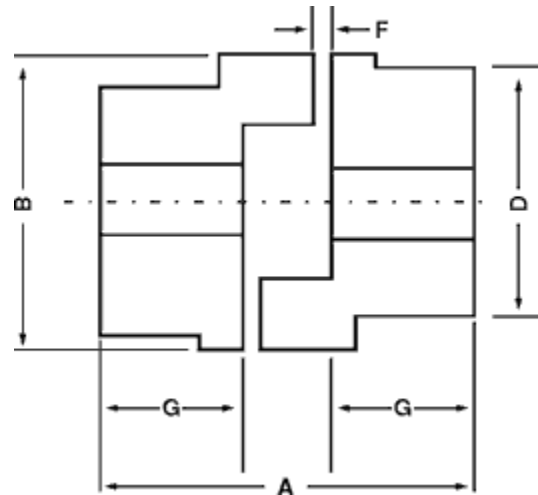
SPECIAL FEATURES OF "R" TYPE COUPLINGS :

- * Low Cost
- * Single Flexible Member
- * Range Upto 100 HP/24 Kg meter Torque- rating.
- * Spider of Poly urethane available on request for higher torque & durability.

Dimension Data

| SIZE | Power per 100 rev/min KW | Bore in mm | | Dimension in MM | | | | |
|---------------|-----------------------------|------------|-----|-----------------|-----|-----|---|----|
| | | Min | Max | A | B | D | F | G |
| RAHI- R- 095 | 0.21 | 10 | 28 | 63 | 54 | 49 | 2 | 25 |
| RAHI- R- 099 | 0.39 | 10 | 30 | 72 | 65 | 51 | 2 | 27 |
| RAHI- R- 0100 | 0.50 | 10 | 38 | 88 | 65 | 57 | 2 | 35 |
| RAHI- R- 0110 | 0.92 | 15 | 42 | 108 | 85 | 76 | 3 | 43 |
| RAHI- R-0150 | 1.50 | 15 | 48 | 115 | 96 | 80 | 3 | 45 |
| RAHI- R- 0190 | 2.02 | 20 | 55 | 133 | 115 | 102 | 3 | 54 |
| RAHI- R- 0225 | 2.75 | 20 | 60 | 153 | 127 | 108 | 3 | 64 |

JAW TYPE ALUMINIUM COUPLING



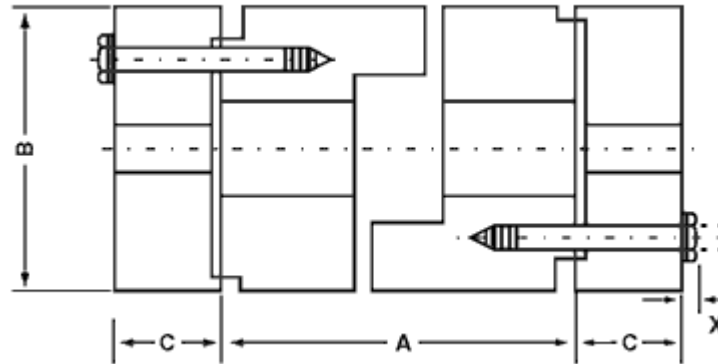
SPECIAL FEATURES OF "A" TYPE COUPLINGS :

- * Low Cost
- * Single Flexible Member
- * Range Upto 100 HP/24 Kg meter Torque- rating.
- * Spider of Poly urethane available on request for higher torque & durability.

Dimension Data

| SIZE | Power per 100 rev/min KW | Bore in mm | | Dimension in MM | | | | |
|---------------|-----------------------------|------------|-----|-----------------|-----|-----|---|----|
| | | Min | Max | A | B | D | F | G |
| RAHI- R- 095 | 0.21 | 10 | 28 | 63 | 54 | 49 | 2 | 25 |
| RAHI- R- 099 | 0.39 | 10 | 30 | 72 | 65 | 51 | 2 | 27 |
| RAHI- R- 0100 | 0.50 | 10 | 38 | 88 | 65 | 57 | 2 | 35 |
| RAHI- R- 0110 | 0.92 | 15 | 42 | 108 | 85 | 76 | 3 | 43 |
| RAHI- R-0150 | 1.50 | 15 | 48 | 115 | 96 | 80 | 3 | 45 |
| RAHI- R- 0190 | 2.02 | 20 | 55 | 133 | 115 | 102 | 3 | 54 |
| RAHI- R- 0225 | 2.75 | 20 | 60 | 153 | 127 | 108 | 3 | 64 |

RR - TYPE SPACER COUPLING



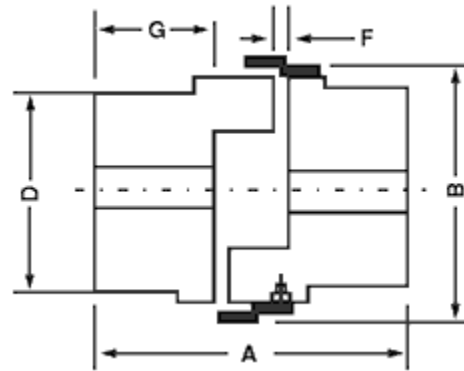
SPECIAL FEATURES OF 'RR' TYPE COUPLINGS:

- * Specially designed for "back pull out pumps"
- * Without disturbing the pump alignment and piping etc, maintenance is possible
- * Can also be used where disconnection of drive and driven unit is required like compressors, generators, blowers etc.
- * Range upto 100 H.P. / 24Kg. Meter torque rating
- * Standard supply spider type elastomer. Can also be supplied with snap-wrap type elastomer.
- * Spiders of Polyurethane available on request for higher torque & durability.

Dimension Data

| SIZE | Power per 100 rev/min KW | Bore in mm | | Distance between shafts ends (DBSE) A | Dimension in MM | | |
|------------------|-----------------------------|------------|-----|--|-----------------|----|----|
| | | Min | Max | | B | C | X |
| RAHI - RR - 095 | 0.21 | 10 | 28 | 90/100/140 | 54 | 25 | 6 |
| RAHI - RR - 0100 | 0.50 | 10 | 38 | 90/100/140/180 | 65 | 30 | 6 |
| RAHI - RR - 0110 | 0.92 | 15 | 42 | 90/100/140/180 | 85 | 35 | 8 |
| RAHI - RR - 0150 | 1.50 | 15 | 48 | 90/100/140/180 | 96 | 45 | 10 |
| RAHI - RR - 0190 | 2.02 | 20 | 55 | 90/100/140/180 | 115 | 51 | 10 |
| RAHI - RR - 0225 | 2.75 | 20 | 60 | 90/100/140/180 | 127 | 57 | 12 |

SW - TYPE SPACER COUPLING



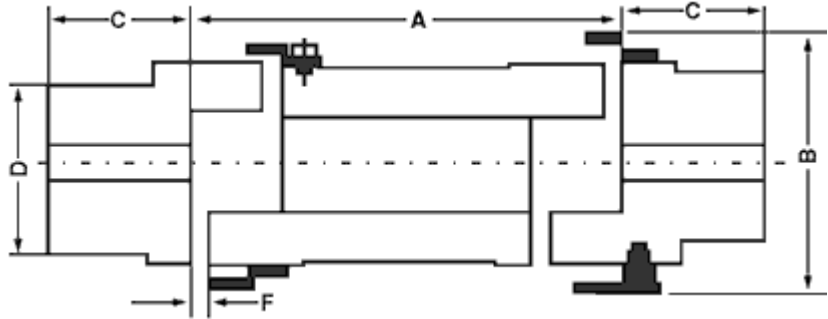
SPECIAL FEATURES OF 'SW' TYPE COUPLING

- * The basic "SW" type coupling with "Snap Wrap" type elastomer and removable collar. This facilitates replacement of Snap Wrap without disturbing the alignment of hubs (Drive and driven unit).
- * Maintenance of machines splitted at centerline of shaft is possible because of Snap wrap concept.
- * Snap wraps in polyurthane available on request for higher torque and durability.

Dimension Data

| SIZE | Power per 100 rev/min KW | Bore in mm | | Dimension in MM | | | | |
|-----------|--------------------------------|------------|-----|-----------------|-----|-----|---|----|
| | | Min | Max | A | B | D | F | G |
| SW - 095 | 0.23 | 10 | 28 | 63 | 64 | 49 | 2 | 25 |
| SW - 099 | 0.38 | 10 | 30 | 72 | 77 | 51 | 2 | 27 |
| SW - 0100 | 0.50 | 10 | 38 | 88 | 77 | 57 | 2 | 35 |
| SW - 0110 | 0.91 | 15 | 42 | 108 | 95 | 76 | 3 | 43 |
| SW - 0150 | 1.47 | 15 | 48 | 115 | 110 | 80 | 3 | 45 |
| SW - 0190 | 2.03 | 20 | 55 | 133 | 128 | 102 | 3 | 54 |
| SW - 0225 | 2.80 | 20 | 60 | 153 | 141 | 108 | 3 | 64 |

RS ALUMINIUM SPACER COUPLING



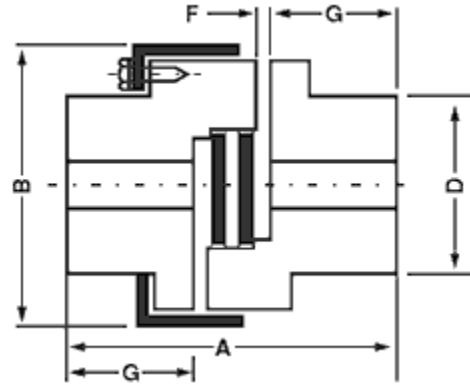
SPECIAL FEATURES OF 'RRS' TYPE COUPLINGS:

- * Specially designed for machines requiring space for maintenance.
- * Having 2 snap-wrap elastomers means double flexibility.
- * Floating spacer made from aluminium (low weight)

Dimension Data

| SIZE | Power per 100 rev/min KW | Bore in mm | | Distance between shafts ends (DBSE) A | Dimension in MM | | | |
|------------|--------------------------|------------|-----|---|-----------------|----|-----|---|
| | | Min | Max | | B | C | F | G |
| RRS - 095 | 0.23 | 10 | 28 | 90/100/140 | 64 | 25 | 49 | 2 |
| RRS - 0100 | 0.50 | 10 | 38 | 90/100/140/180 | 77 | 35 | 57 | 2 |
| RRS - 0110 | 0.91 | 15 | 42 | 90/100/140/180 | 95 | 43 | 76 | 3 |
| RRS - 0150 | 1.47 | 15 | 48 | 90/100/140/180 | 110 | 45 | 80 | 3 |
| RRS - 0190 | 2.03 | 20 | 55 | 90/100/140/180 | 128 | 54 | 102 | 3 |
| RRS - 0225 | 2.80 | 20 | 60 | 90/100/140/180 | 141 | 64 | 108 | 3 |

C - TYPE RING COUPLING



SPECIAL FEATURES OF 'C' TYPE COUPLINGS:

- * Individual free load cushions held in position by inner and outer collars.
- * Cushions can be easily inspected at all times.
- * Without disturbing the alignment, cushions can be easily replaced.

* Range up to 900 H.P. / 218 Kg. Meter torque ratings.

* Also snap type cushions can be supplied eliminating inner ring.

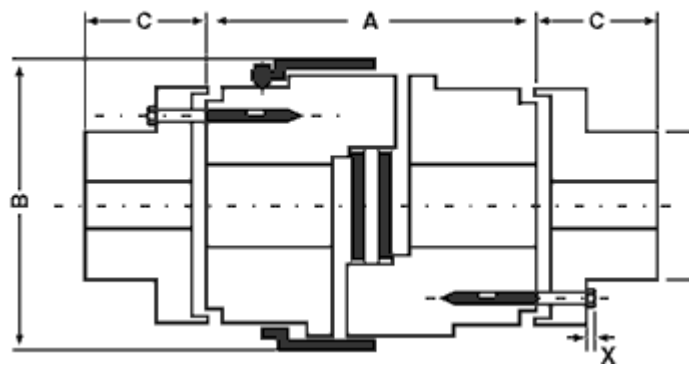
* Synthetic cushions with steel reinforcement available on request for higher torque at low speed.

* Cushions of Polyurethane available on request.

Dimension Data

| SIZE | Power per 100 rev/min KW | Bore in mm | | Dimension in MM | | | | |
|-----------------|--------------------------|------------|-----|-----------------|-----|-----|---|-----|
| | | Min | Max | A | B | D | F | G |
| RAHI - C - 0226 | 3.45 | 22 | 65 | 178 | 143 | 115 | 3 | 70 |
| RAHI - C - 0276 | 5.60 | 22 | 75 | 200 | 163 | 127 | 3 | 80 |
| RAHI - C - 0280 | 8.20 | 30 | 75 | 200 | 200 | 140 | 3 | 80 |
| RAHI - C - 0295 | 13.40 | 40 | 90 | 238 | 245 | 160 | 3 | 95 |
| RAHI - C - 2995 | 22.40 | 50 | 100 | 264 | 245 | 180 | 3 | 108 |

CQ - TYPE RING COUPLING



| SIZE | Power per 100 rev/min KW | Bore in mm | | Distance between shafts ends (DBSE) A | Dimension in MM | | | |
|-------------|-----------------------------|------------|-----|--|-----------------|----|-----|----|
| | | Min | Max | | B | D | F | G |
| RAHI - 0226 | 3.45 | 22 | 65 | 135/140/180 | 145 | 50 | 134 | 12 |
| RAHI - 0276 | 5.60 | 22 | 75 | 135/140/180 | 165 | 60 | 130 | 12 |
| RAHI - 0280 | 8.20 | 30 | 75 | 135/140/180 | 200 | 60 | 130 | 14 |
| RAHI - 0295 | 13.40 | 40 | 90 | 135/140/180 | 249 | 65 | 160 | 16 |
| RAHI - 2995 | 22.40 | 50 | 90 | 135/140/180 | 249 | 80 | 160 | 16 |